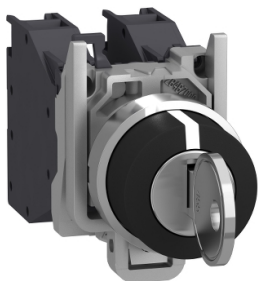


Product data sheet

Specifications



Key switch selector, Harmony XB4, metal, black, 22mm, key 455, 3 positions, stay put, 2 NO

XB4BG33

Product availability: Stock - Normally stocked in distribution facility

Price*: 141.00 USD

Main

| | |
|-------------------------------|--|
| Range of Product | Harmony XB4 |
| Product or Component Type | Selector switch |
| Device short name | XB4 |
| Bezel material | Chromium plated metal |
| Fixing collar material | Zamak |
| Mounting diameter | 0.9 in (22.5 mm) |
| Sale per indivisible quantity | 1 |
| Head type | Standard |
| Shape of signaling unit head | Round |
| Type of operator | stay put |
| Operator profile | key switch |
| Operator position information | 3 positions +/- 45° |
| Contacts type and composition | 2 NO |
| Contact operation | Slow-break |
| Connections - terminals | Screw clamp terminals, <= 2 x 1.5 mm ² with cable end IEC 60947-1 Screw clamp terminals, >= 1 x 0.22 mm ² without cable end IEC 60947-1 |

Complementary

| | |
|------------------------------------|---|
| Height | 1.9 in (47 mm) |
| Width | 1.2 in (30 mm) |
| Depth | 3.4 in (86 mm) |
| Terminals description ISO n°1 | (13-14)NO (23-24)NO |
| Net Weight | 0.280 lb(US) (0.127 kg) |
| Resistance to high pressure washer | 1015.3 psi (7000000 Pa) 131.0000000000 °F (55 °C) 0.1 m |
| type of keylock | Key 455 |
| Key withdrawal position | Center |
| Contacts usage | Standard contacts |
| Positive opening | Without |
| Torque value | 1.24 lbf.in (0.14 N.m) NO changing electrical state |
| Mechanical durability | 1000000 cycles |

Price is "List Price" and may be subject to a trade discount – check with your local distributor or retailer for actual price.

| | |
|--|---|
| Tightening torque | 7.08...10.6 lbf.in (0.8...1.2 N.m) IEC 60947-1 |
| Shape of screw head | Cross Philips no 1 Cross pozidriv No 1 Slotted flat Ø 4 mm Slotted flat Ø 5.5 mm |
| Contacts material | Silver alloy (Ag/Ni) |
| Short-circuit protection | 10 A cartridge fuse gG IEC 60947-5-1 |
| [Ith] conventional free air thermal current | 10 A IEC 60947-5-1 |
| [Ui] rated insulation voltage | 600 V 3)IEC 60947-1 |
| [Uimp] rated impulse withstand voltage | 6 kV IEC 60947-1 |
| [Ie] rated operational current | 3 A 240 V, AC-15, A600 IEC 60947-5-1 6 A 120 V, AC-15, A600 IEC 60947-5-1 0.1 A 600 V, DC-13, Q600 IEC 60947-5-1 0.27 A 250 V, DC-13, Q600 IEC 60947-5-1 0.55 A 125 V, DC-13, Q600 IEC 60947-5-1 1.2 A 600 V, AC-15, A600 IEC 60947-5-1 |
| Electrical durability | 1000000 cycles, AC-15, 2 A 230 V 3600 cyc/h 0.5 EN 60947-5-1 appendix C 1000000 cycles, AC-15, 3 A 120 V 3600 cyc/h 0.5 EN 60947-5-1 appendix C 1000000 cycles, AC-15, 4 A 24 V 3600 cyc/h 0.5 EN 60947-5-1 appendix C 1000000 cycles, DC-13, 0.2 A 110 V 3600 cyc/h 0.5 EN 60947-5-1 appendix C 1000000 cycles, DC-13, 0.5 A 24 V 3600 cyc/h 0.5 EN 60947-5-1 appendix C |
| Electrical reliability | $\Lambda < 10\exp(-6)$ 5 V 1 mA in clean environment IEC 60947-5-4 $\Lambda < 10\exp(-8)$ 17 V 5 mA in clean environment IEC 60947-5-4 |
| device presentation | Complete product |

Environment

| | |
|--|---|
| protective treatment | TH |
| Ambient Air Temperature for Storage | -40.0000000000...158.0000000000 °F (-40...70 °C) |
| Ambient Air Temperature for Operation | -40.0000000000...158.0000000000 °F (-40...70 °C) |
| Overvoltage category | Class I IEC 60536 |
| IP degree of protection | IP66 IEC 60529 IP69 IP69K IP67 |
| NEMA degree of protection | NEMA 13 NEMA 4X |
| IK degree of protection | IK06 with keyhole cover ZBGP conforming to IEC 50102 |
| Standards | CSA C22.2 No 14 IEC 60947-5-4 IEC 60947-1 IEC 60947-5-5 UL 508 IEC 60947-5-1 JIS C8201-5-1 JIS C8201-1 |
| Product Certifications | UL BV CSA LROS (Lloyds register of shipping) GL DNV |
| Vibration resistance | 5 gn 2...500 Hz)IEC 60068-2-6 |
| Shock resistance | 30 gn 18 ms) half sine wave acceleration IEC 60068-2-27 50 gn 11 ms) half sine wave acceleration IEC 60068-2-27 |

Ordering and shipping details

| | |
|-------------------|---------------|
| Category | US10CS222468 |
| Discount Schedule | 0CS2 |
| GTIN | 3389110887150 |
| Returnability | Yes |
| Country of origin | MX |

Packing Units

| | |
|------------------------------|--------------------------|
| Unit Type of Package 1 | PCE |
| Number of Units in Package 1 | 1 |
| Package 1 Height | 1.417 in (3.600 cm) |
| Package 1 Width | 2.165 in (5.500 cm) |
| Package 1 Length | 3.622 in (9.200 cm) |
| Package 1 Weight | 5.573 oz (158.000 g) |
| Unit Type of Package 2 | BB1 |
| Number of Units in Package 2 | 5 |
| Package 2 Height | 3.386 in (8.600 cm) |
| Package 2 Width | 10.236 in (26.000 cm) |
| Package 2 Length | 1.299 in (3.300 cm) |
| Package 2 Weight | 27.937 oz (792.000 g) |
| Unit Type of Package 3 | S02 |
| Number of Units in Package 3 | 50 |
| Package 3 Height | 5.906 in (15.000 cm) |
| Package 3 Width | 11.811 in (30.000 cm) |
| Package 3 Length | 15.748 in (40.000 cm) |
| Package 3 Weight | 18.433 lb(US) (8.361 kg) |

Contractual warranty

| | |
|----------|-----------|
| Warranty | 18 months |
|----------|-----------|

Sustainability

Green Premium™ label is Schneider Electric's commitment to delivering products with best-in-class environmental performance. Green Premium promises compliance with the latest regulations, transparency on environmental impacts, as well as circular and low-CO₂ products.

Guide to assessing product sustainability is a white paper that clarifies global eco-label standards and how to interpret environmental declarations.

[Learn more about Green Premium >](#)

[Guide to assess a product's sustainability >](#)



Transparency RoHS/REACH

Well-being performance

Mercury Free

Rohs Exemption Information Yes

Certifications & Standards

Reach Regulation [REACH Declaration](#)

Eu Rohs Directive Pro-active compliance (Product out of EU RoHS legal scope)

China Rohs Regulation [China RoHS declaration](#)

Environmental Disclosure [Product Environmental Profile](#)

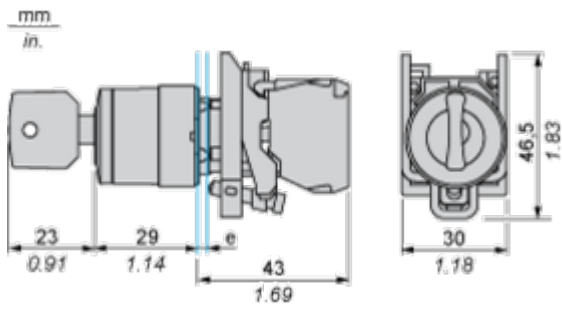
Weee The product must be disposed on European Union markets following specific waste collection and never end up in rubbish bins.

Circularity Profile [End of Life Information](#)

California Proposition 65 WARNING: This product can expose you to chemicals including: Lead and lead compounds, which is known to the State of California to cause cancer and birth defects or other reproductive harm. For more information go to www.P65Warnings.ca.gov

Dimensions Drawings

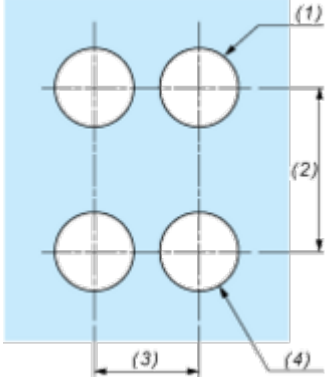
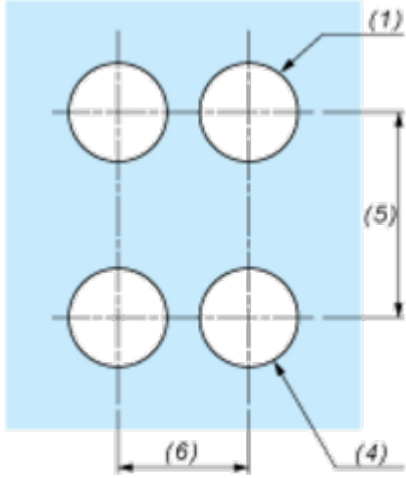
Dimensions



e : clamping thickness: 1 to 6 mm / 0.04 to 0.24 in.

Mounting and Clearance

Panel Cut-out for Pushbuttons, Switches and Pilot Lights (Finished Holes, Ready for Installation)

| Connection by Screw Clamp Terminals or Plug-in Connectors or on Printed Circuit Board | Connection by Faston Connectors |
|---|--|
|  |  |
| <p>(1) Diameter on finished panel or support (2) 40 mm min. / 1.57 in. min. (3) 30 mm min. / 1.18 in. min. (4) $\varnothing 22.5 \text{ mm} / 0.89 \text{ in. recommended } (\varnothing 22.3 \text{ mm }_0^{+0.4} / 0.88 \text{ in. }_0^{+0.016})$ (5) 45 mm min. / 1.78 in. min. (6) 32 mm min. / 1.26 in. min.</p> | |