

Product data sheet

Specifications



Monolithic selector switch,
Harmony XB7, plastic, black,
22mm, stay put, 2 positions, stay
put, 1NO+1NC

XB7ND25

Product availability: Stock - Normally stocked in distribution facility

Price*: 34.00 USD

Main

| | |
|-------------------------------|---|
| Range of Product | Harmony XB7 |
| Product or Component Type | Selector switch |
| Device short name | XB7 |
| Mounting diameter | 0.9 in (22 mm) |
| Sale per indivisible quantity | 10 |
| Net Weight | 0.057 lb(US) (0.026 kg) |
| IP degree of protection | IP20 IEC 60529 rear face) IP65 IEC 60529 front face) |
| Shape of signaling unit head | Round |
| Type of operator | stay put |
| Operator profile | Black standard handle |
| Operator position information | 2 positions 90° |
| Contacts type and composition | 1 NO + 1 NC |
| Positive opening | With IEC 60947-5-1 appendix K |

Complementary

| | |
|-------------------------------|---|
| CAD overall width | 1.1 in (29 mm) |
| CAD overall height | 1.1 in (29 mm) |
| CAD overall depth | 2.7 in (68.5 mm) |
| Terminals description ISO n°1 | (13-14)NO (21-22)NC |
| Device mounting | Fixing hole 0.9 in (22.5 mm) 22.3 +0.4/0 IEC 60947-1 |
| Fixing center | >= 30 x 40 mm support panel) metal 0.04...0.2 in (1...6 mm) >= 30 x 40 mm support panel) plastic 0.08...0.2 in (2...6 mm) |
| Fixing mode | Fixing nut 17.7...21.2 lbf.in (2...2.4 N.m) |
| Contact operation | Slow-break |
| Mechanical durability | 300000 cycles |
| Connections - terminals | Screw clamp terminals, <= 2 x 1.5 mm ² with cable end IEC 60947-1 Screw clamp terminals, 1 x 0.34...2 x 2.5 mm ² without cable end IEC 60947-1 |
| Tightening torque | 7.08...10.6 lbf.in (0.8...1.2 N.m) IEC 60947-1 |

Price is "List Price" and may be subject to a trade discount – check with your local distributor or retailer for actual price.

| | |
|---|--|
| Shape of screw head | Cross JIS No 1 Cross Philips no 1 Cross pozidriv No 1 Slotted flat Ø 4 mm Slotted flat Ø 5.5 mm |
| Short-circuit protection | 4 A cartridge fuse gG IEC 60947-5-1 |
| [Ui] rated insulation voltage | 250 V 3)IEC 60947-1 |
| [Uimp] rated impulse withstand voltage | 4 kV IEC 60947-1 |
| [Ie] rated operational current | 0.1 A 250 V, DC-13, R300 IEC 60947-5-1 0.22 A 125 V, DC-13, R300 IEC 60947-5-1 0.3 A 240 V, AC-14, D300 IEC 60947-5-1 0.6 A 120 V, AC-14, D300 IEC 60947-5-1 |
| Electrical durability | 1000000 cycles, DC-13, 0.3 A 24 V 216000 cyc/mn 0.5 IEC 60947-5-1 appendix C 1000000 cycles, AC-15, 0.03 A 230 V 216000 cyc/mn 0.5 IEC 60947-5-1 appendix C 1000000 cycles, AC-15, 0.09 A 240 V 108000 cyc/mn 0.5 IEC 60947-5-1 appendix C |
| Electrical reliability | $\Lambda < 10\exp(-6)$ 17 V 5 mA IEC 60947-5-4 |

Environment

| | |
|--|--|
| protective treatment | TH |
| Ambient Air Temperature for Storage | -40.0000000000...158.0000000000 °F (-40...70 °C) |
| Ambient Air Temperature for Operation | -13.0000000000...158.0000000000 °F (-25...70 °C) |
| Electrical shock protection class | Class II IEC 61140 |
| NEMA degree of protection | NEMA 12 UL 50 E NEMA 3 UL 50 E |
| Standards | JIS C8201-5-1 IEC 60947-1 UL 508 CSA C22.2 No 14 IEC 60947-5-1 JIS C8201-1 |
| Vibration resistance | 5 gn 2...500 Hz)IEC 60068-2-6 |
| Shock resistance | 50 gn 11 ms) half sine wave acceleration IEC 60068-2-27 30 gn 18 ms) half sine wave acceleration IEC 60068-2-27 |

Ordering and shipping details

| | |
|--------------------------|---------------|
| Category | US10CS222464 |
| Discount Schedule | 0CS2 |
| GTIN | 3606480470257 |
| Returnability | Yes |
| Country of origin | ID |

Packing Units

| | |
|-------------------------------------|------------------|
| Unit Type of Package 1 | PCE |
| Number of Units in Package 1 | 1 |
| Package 1 Height | 2.8 in (7.0 cm) |
| Package 1 Width | 1.3 in (3.2 cm) |
| Package 1 Length | 1.3 in (3.2 cm) |
| Package 1 Weight | 1.06 oz (30.0 g) |

Contractual warranty

Warranty

18 months

Sustainability

Green Premium™ label is Schneider Electric's commitment to delivering products with best-in-class environmental performance. Green Premium promises compliance with the latest regulations, transparency on environmental impacts, as well as circular and low-CO₂ products.

Guide to assessing product sustainability is a white paper that clarifies global eco-label standards and how to interpret environmental declarations.

[Learn more about Green Premium >](#)

[Guide to assess a product's sustainability >](#)



Transparency RoHS/REACH

Well-being performance

Reach Free Of Svhc

Toxic Heavy Metal Free

Mercury Free

Rohs Exemption Information Yes

Certifications & Standards

Reach Regulation [REACH Declaration](#)

Eu Rohs Directive Pro-active compliance (Product out of EU RoHS legal scope)
[EU RoHS Declaration](#)

China Rohs Regulation [China RoHS declaration](#)

Environmental Disclosure [Product Environmental Profile](#)

Weee The product must be disposed on European Union markets following specific waste collection and never end up in rubbish bins.

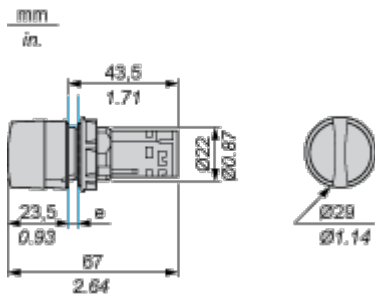
Circularity Profile [End of Life Information](#)

California Proposition 65 WARNING: This product can expose you to chemicals including: Di-isodecyl phthalate (DIDP), which is known to the State of California to cause birth defects or other reproductive harm. For more information go to www.P65Warnings.ca.gov

Dimensions Drawings

Selector Switch, Standard Handle

Dimensions

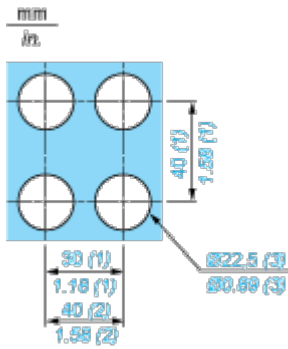


e Support panel thickness: 1 to 6 mm/0.4 to 0.24 in. (metal), 2 to 6 mm/0.8 to 0.24 in. (plastic).

Mounting and Clearance

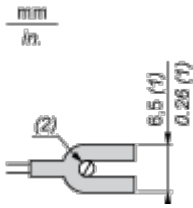
Mounting

Diameter of Finished Fixing Holes



- (1) Minimum value.
- (2) 40 mm/1.58 in. for Emergency switching off pushbutton only.
- (3) Standard value: \varnothing 22.3 (0; + 0.4) mm/ \varnothing 0.88 (0; + 0.02) in.

“U” Type Tag Connection



- (1) 6.5 mm/0.26 in. recommended, 7 mm/0.28 in. max.
- (2) M3 screw clamp terminal.

Connections and Schema

Wiring

