

# Product datasheet

Specifications



circuit breaker EasyPact  
CVS250B, 25 kA at 415 VAC, 250  
A rating thermal magnetic TM-D  
trip unit, 4P 3d

LV525313

## Main

Range	EasyPact
Range Of Product	EasyPact CVS100...250
Product Name	EasyPact CVS
Device Short Name	CVS250B
Product Or Component Type	Circuit breaker
Device Application	Distribution
Poles Description	4P
Protected Poles Description	3D
Earth Leakage Protection (Vigi Add On)	Without
[In] Rated Current	250 A at 40 °C
Network Type	AC
Utilisation Category	Category A
[Icu] Breaking Capacity	40 kA Icu at 220/240 V AC 50/60 Hz conforming to IEC 60947-2 25 kA Icu at 380/415 V AC 50/60 Hz conforming to IEC 60947-2 20 kA Icu at 440 V AC 50/60 Hz conforming to IEC 60947-2
Trip Unit Name	TM-D
Trip Unit Technology	Thermal-magnetic
Trip Unit Rating	250 A at 40 °C
Protection Type	Overload protection (thermal) Short-circuit protection (magnetic)

## Complementary

[Uimp] Rated Impulse Withstand Voltage	8 kV conforming to EN/IEC 60947-2
Network Frequency	50/60 Hz
Breaking Capacity Code	B
[Ics] Rated Service Breaking Capacity	15 kA at 440 V AC 50/60 Hz conforming to IEC 60947-2 25 kA at 380/415 V AC 50/60 Hz conforming to IEC 60947-2 40 kA at 220/240 V AC 50/60 Hz conforming to IEC 60947-2
Neutral Position	Left
Mechanical Durability	20000 cycles
Electrical Durability	10000 cycles 415 V In conforming to IEC 60947-2
Control Type	Toggle
Thermal Protection Adjustment Range	175...250 A

<b>Neutral Protection Setting</b>	No protection (3D)
<b>Long Time Pick-Up Adjustment Type I<sub>r</sub></b>	Adjustable
<b>Long Time Pick-Up Adjustment Range</b>	0.7...1 x I <sub>n</sub>
<b>Long Time Delay Adjustment Type</b>	Fixed
<b>Instantaneous Pick-Up Adjustment Type I<sub>i</sub></b>	Fixed
<b>Instantaneous Pick-Up Adjustment Range</b>	2500 A
<b>Contact Position Indicator</b>	Yes
<b>Mounting Support</b>	Backplate
<b>Mounting Mode</b>	Fixed
<b>Upside Connection</b>	Front
<b>Downside Connection</b>	Front
<b>Connections - Terminals</b>	Screw connection
<b>Connection Pitch</b>	35 mm
<b>Compatibility Code</b>	CVS250
<b>Width</b>	140 mm
<b>Depth</b>	86 mm
<b>Height</b>	161 mm
<b>Net Weight</b>	2.2 kg

## Environment

<b>Standards</b>	EN 60947-2 IEC 60947-2
<b>Product Certifications</b>	GOST IEC
<b>Electrical Shock Protection Class</b>	Class II
<b>Pollution Degree</b>	3 conforming to IEC 60664-1
<b>IP Degree Of Protection</b>	IP40
<b>Ambient Air Temperature For Operation</b>	-25...70 °C
<b>Ambient Air Temperature For Storage</b>	-50...85 °C

## Packing Units

<b>Unit Type Of Package 1</b>	PCE
<b>Number Of Units In Package 1</b>	1
<b>Package 1 Height</b>	13.700 cm
<b>Package 1 Width</b>	14.500 cm
<b>Package 1 Length</b>	18.900 cm
<b>Package 1 Weight</b>	2.574 kg
<b>Unit Type Of Package 2</b>	S04
<b>Number Of Units In Package 2</b>	9
<b>Package 2 Height</b>	30.000 cm
<b>Package 2 Width</b>	40.000 cm

---

**Package 2 Length** 60.000 cm

---

**Package 2 Weight** 23.926 kg

## Sustainability

**Green Premium™ label** is Schneider Electric's commitment to delivering products with best-in-class environmental performance. Green Premium promises compliance with the latest regulations, transparency on environmental impacts, as well as circular and low-CO<sub>2</sub> products.

**Guide to assessing product sustainability** is a white paper that clarifies global eco-label standards and how to interpret environmental declarations.

[Learn more about Green Premium >](#)

[Guide to assess a product's sustainability >](#)



Transparency RoHS/REACH

## Well-being performance

Mercury Free

RoHS Exemption Information Yes

## Certifications & Standards

Reach Regulation [REACH Declaration](#)

Eu RoHS Directive Compliant with Exemptions

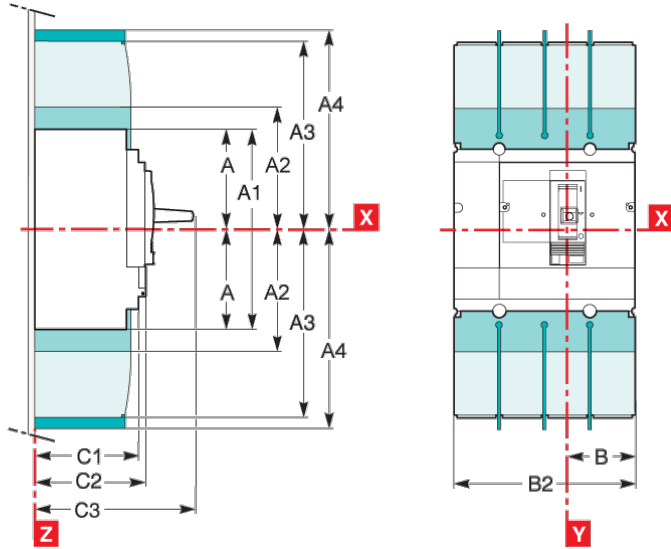
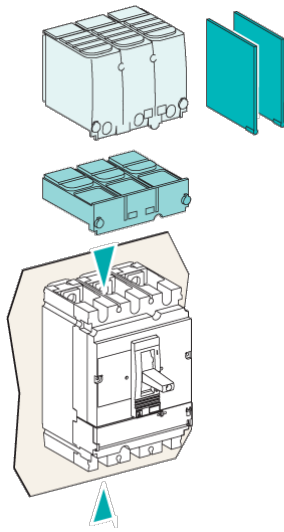
China RoHS Regulation [China RoHS declaration](#)  
Product out of China RoHS scope. Substance declaration for your information

Environmental Disclosure [Product Environmental Profile](#)

Weee The product must be disposed on European Union markets following specific waste collection and never end up in rubbish bins

Circularity Profile [End of Life Information](#)

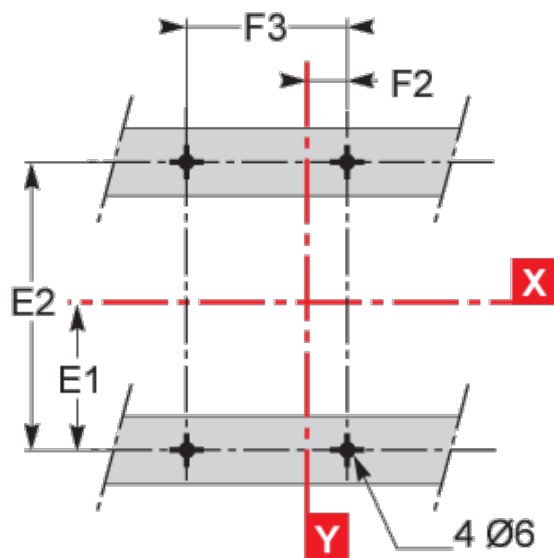
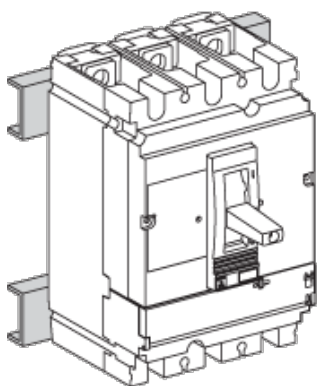
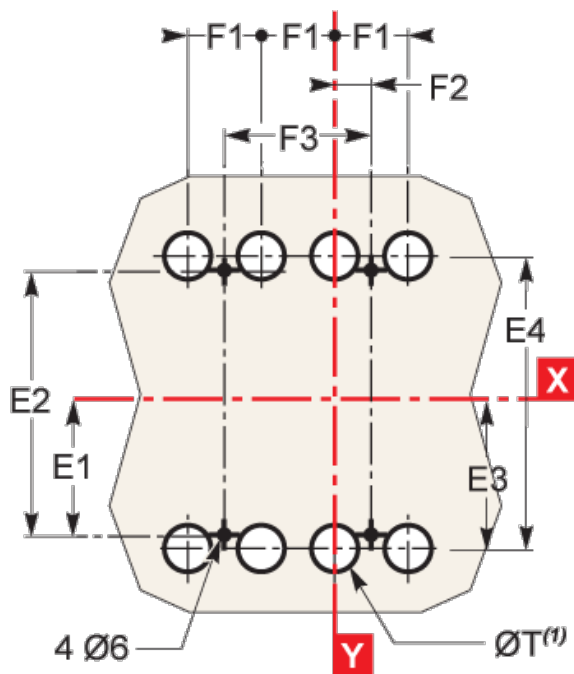
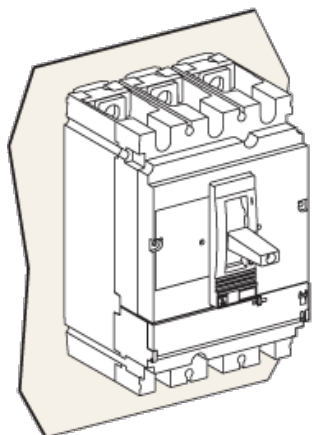
Dimensions Drawings



Type	A	A1	A2	A3	A4	A5	A6	A7	A8	A9	B	B1	B2	C1	C2	C3	E1
CMS100H63/250	80.5	161	64	140	170.5	155.5	236	109	220	353.5	52.5	105	140	81	86	111 <sup>(*)</sup>	82.5
CMS400/630	127.5	255	142.5	300	287	227.5	355	242.5	300	387	70	140	185	95.5	110	168	100
Type	E2	E3	E4	E5	E6	E7	E8	F1	F2	F3	G1	G2	G3	G4	G5	ØT	U
CMS100H63/250	125	70	140	137.5	200	145	215	30	17.0	70	85	72	13.5	23	17.0	24	y32
CMS400/630	200	113.5	227	200	300	213.5	327	45	22.5	80	-	-	-	-	-	32	y35

<sup>(\*)</sup> C3=126mm for EasyPost CMS250LF.

Assembly



Type	A	A1	A2	A3	A4	A5	A6	A7	A8	A9	B	B1	B2	C1	C2	C3	E1
CVS100H60/250	60.5	161	64	140	170.5	165.5	236	109	220	353.5	52.5	105	140	81	66	111 <sup>(1)</sup>	62.5
CVS400/630	127.5	265	142.5	200	287	227.5	355	242.5	300	357	70	140	186	95.5	110	169	100
Type	E2	E3	E4	E5	E6	E7	E8	F1	F2	F3	G1	G2	G3	G4	G5	ØT	U
CVS100H60/250	125	70	140	137.5	200	145	216	35	17.5	70	65	75	13.5	33	17.5	34	y32
CVS400/630	200	113.5	227	200	300	213.5	327	45	22.5	80	-	-	-	-	-	32	y35

<sup>(1)</sup> C3-126mm for EasyPact CVS2500F.

Performance Curves

